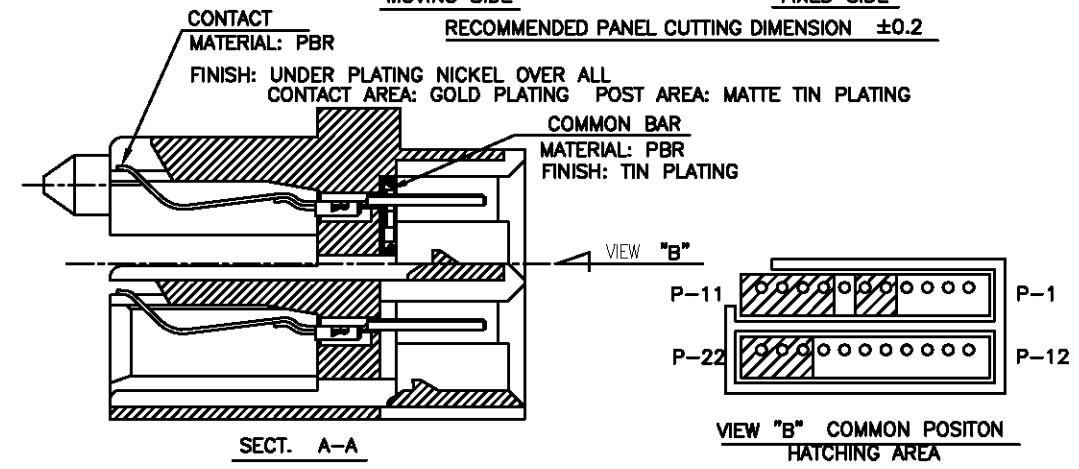
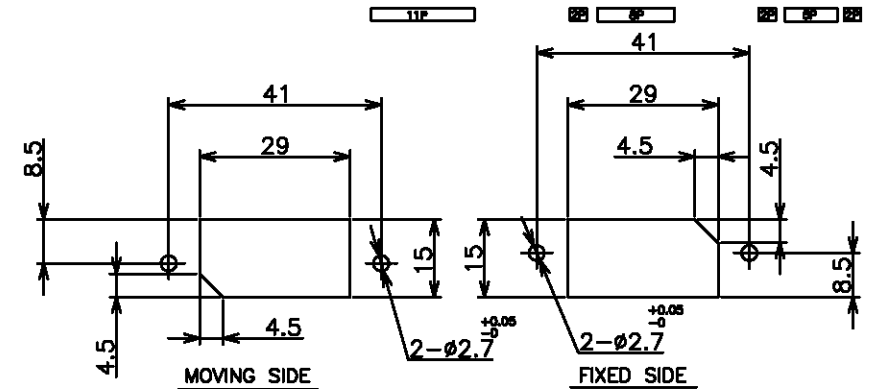


LOG	DIST	REVISIONS					
ES	00	P	LTR	DESCRIPTION	DATE	DMN	APVD
		A		REVISED FB00-0217-04	16DEC04	H.H	I.E

- NOTES:
- 1 APPLIED USED TAPPING SCREW P/N: 176848-1
 - 2 MATING CONN. OF POST SIDE: AMP CT CONN. HAS FOLLOWING PATTERN



— —	CUT	4.4	J	5-292178-1
— —	WITH	3.4	P	292178-2
— —	— —	3.4	P	292178-1
COMMON TAB	CORNER CUT	D	HSG TYPE	P/N

THIS DRAWING IS A CONTROLLED DOCUMENT.

DIMENSIONS: MM	TOLERANCES UNLESS OTHERWISE SPECIFIED	DMN J. JIANG	OSFEB03	 Tyco Electronics Corporation Shanghai, P.R.China,200233
	0 PLC ±	CHK S. YAO	OSFEB03	
	1 PLC ±	APVD T. SASAKI	OSFEB03	
	2 PLC ±	PRODUCT SPEC		
	3 PLC ±	APPLICATION SPEC		108-60021
	4 PLC ±			22P MINI-DRAWER CONNECTOR
	ANGLES ±			SIZE A3
MATERIAL SEE SHEET	FINISH SEE SHEET	WEIGHT		CAGE CODE 00779
		CUSTOMER DRAWING		DRAWING NO C=292178
				RESTRICTED TO
				SCALE NTS
				SHEET 1 OF 1
				REV A